

# SE5850

## SECURITY MANAGEMENT SYSTEM

### SPECIFICATION DATA



SE5850 is an affordable access management system for small to medium sized applications that require powerful centralized database management, flexible alarm monitoring, versatile central logging and reporting capabilities, and easy expansion potential.

A single-user host, this MS-DOS based software is one of the most proven and dependable access control and alarm monitoring hosts available: SE5850 is used in more than **10,000** facilities around the world.

SE5850 can be bundled with a reliable and powerful Dell computer system, or it can be purchased as a software-only package.

#### Basic Features

- Custom user maps
- Handles as few as one or as many as 256 doors
- Priced to manage 2, 4, 8, 16, or 32 controllers; software expansion modules can be purchased separately as needs grow
- Supports multiple controllers in a single system, including:
  - NexSentry Star Series and 4100 Series
  - Alto 818 Series
  - SE 422 Series
  - SE 800 Series

### KEY FEATURES

- Full-time central monitoring and control of all security functions
  - Integrates multiple access technologies in a single system, including:
    - digital proximity
    - analog proximity
    - magnetic stripe
    - keypad
  - Compatible with all WSE controllers, including:
    - NexSentry Star Series and 4100 Series
    - Alto 818 Series
    - SE 422 Series
    - SE 800
  - Produces reports for tracing cardholders
  - Provides a flexible data management and archive system
  - Automates record-keeping
- 
- Supports multiple access management technologies in a single system, including:
    - Analog proximity
    - Digital proximity
    - Keypad
    - Magnetic stripe
  - Intelligent and fast downloading process and performance
  - Simple, menu-driven operations
  - Distributed intelligence
  - Password protection
  - Supports independent operation of each controller
  - Full security fail-soft stand-alone mode
  - Automatic boot into SE5850; automatic re-boot after system failure
  - Local access control and alarm monitoring is not affected by communication or other system failure between access control unit and Host
  - Can configure, change and monitor each controller individually or in groups from a central terminal
  - Worldwide training and support from the leading pioneer in proximity access control technology
  - Standard reporting functions for
    - Data logging
    - Special needs reports
  - Data maintenance

# SE5850 SECURITY MANAGEMENT SYSTEM

## Benefits

- Secure
  - Safe
  - Stable
  - Dependable
  - Easy to use
  - Eases expansion of system and user base for growing companies
  - Maintains activity database even when communications between controller and host is interrupted
  - Facilitates highly customized applications
  - Integrates access management components into synergistic elements of a single system
  - Reduces overall cost of security management
- Custom user maps help pinpoint alarms and facilitate operator response
  - Support for multiple controller types and multiple access technologies in a single system enables easy upgrade of existing systems, while allowing user to tailor system to meet highly specific needs

## Recommended computer Specifications

SE5850 is available as a software-only option or it can be packaged with a high quality, Dell computer that is configured for optimum performance with SE5850. (see our web site for latest computer hardware).

Following are the recommended minimum specifications for optimum performance of SE5850:

- Manufacturer: ..... Dell
- Model: ..... IBM compatible PC
- Operating system: .... MS DOS 6.22
- RAM: ..... 16 MB
- Microprocessor: ... Pentium, 50 Mhz

## Compatible Products by WSE

Following are some of the compatible products designed, tested and built by WSE to work as synergistic components of a single system:

### NexSentry Controllers

#### Star I

Incorporates surface-mount technology and added functionality that provides powerful features while using less power all on one small single board. With a 32-bit Intel® microprocessor built-in, the controller provides a superfast and accurate control of up to 8-doors. Single 2-door base system is easily upgraded to a 4 or 8-door system with a simple personality chip change.

#### 4100 Series

A modular two-four or eight-door controller that manages access via WSE's RS485-based S-Net.

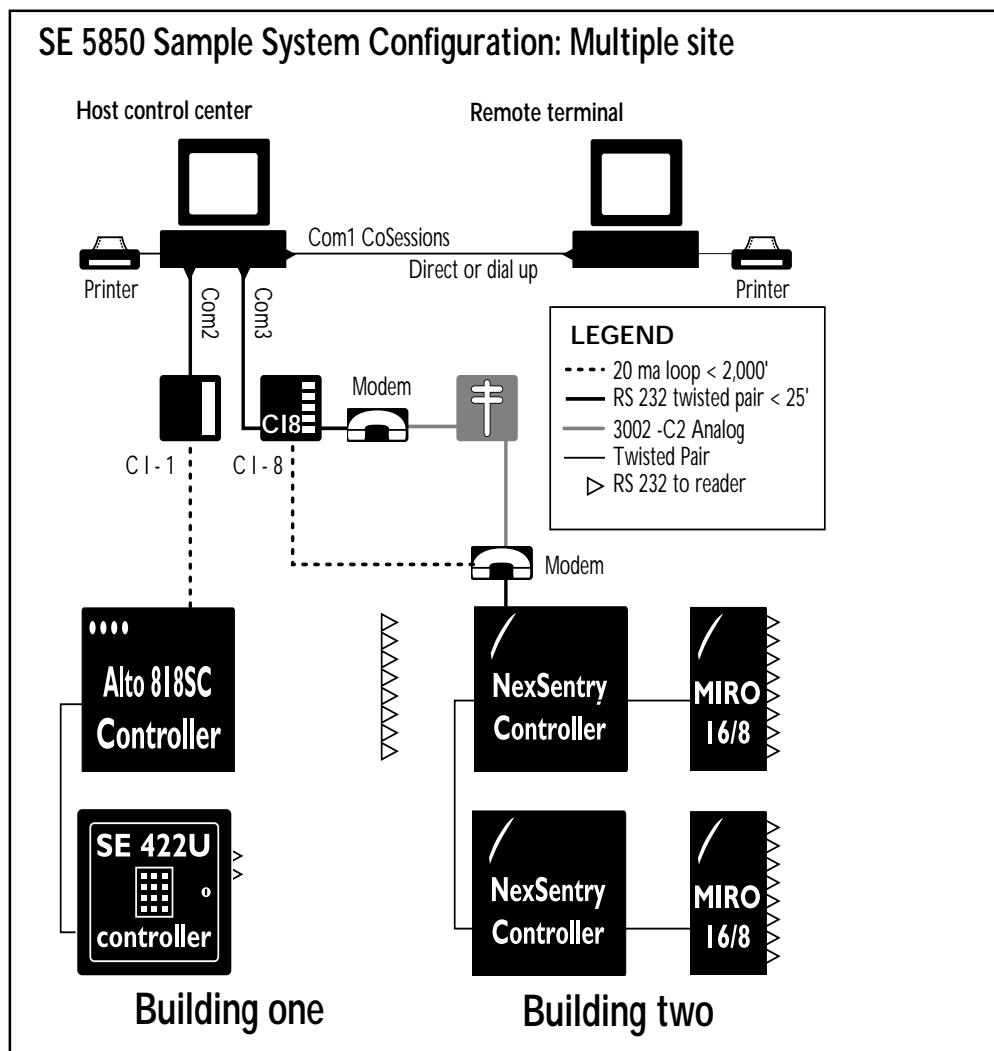
NexSentry Controller's embedded 32-bit microprocessor is the most advanced in the industry and allows super-fast and accurate monitoring of multiple technologies at every door. Priced to bring advanced control to any organization, regardless of size.

### Alto 818SC Controller

A powerful eight-door controller with highly flexible feature set and powerful performance. Supports multiple technologies at each door. Supports both digital and analog technologies.

### SE 422 Controller

Affordable two-door access controller with big-system features. With its advanced modular design and support for multiple access control technologies, this two-door controller is ideal for small applications that require an affordable control solution with easy installation and the ability to expand.



## DigiReader Series digital proximity readers

A series of award winning digital proximity readers with read ranges from 1.5 to 20 inches (3.75 to 50.8 cm). DigiReader digital proximity reader with integrated keypad also available. Available models: DR4201, DR4203, DR4205 Series, DR4208, and DR4220.

## SE2800 Series analog proximity sensors

Lexan-encased analog sensors. Mount on surface, behind glass or conceal in wall. Read range to four inches.

## MSR42 Series magnetic stripe readers

An attractive and durable magnetic stripe reader. Also comes with integrated keypad.

## DR4200K Keypad

Ten-digit keypad. Three color LED indicators for Present Card, Enter PIN and Door unlocked.

## NexKey low-cost proximity badge

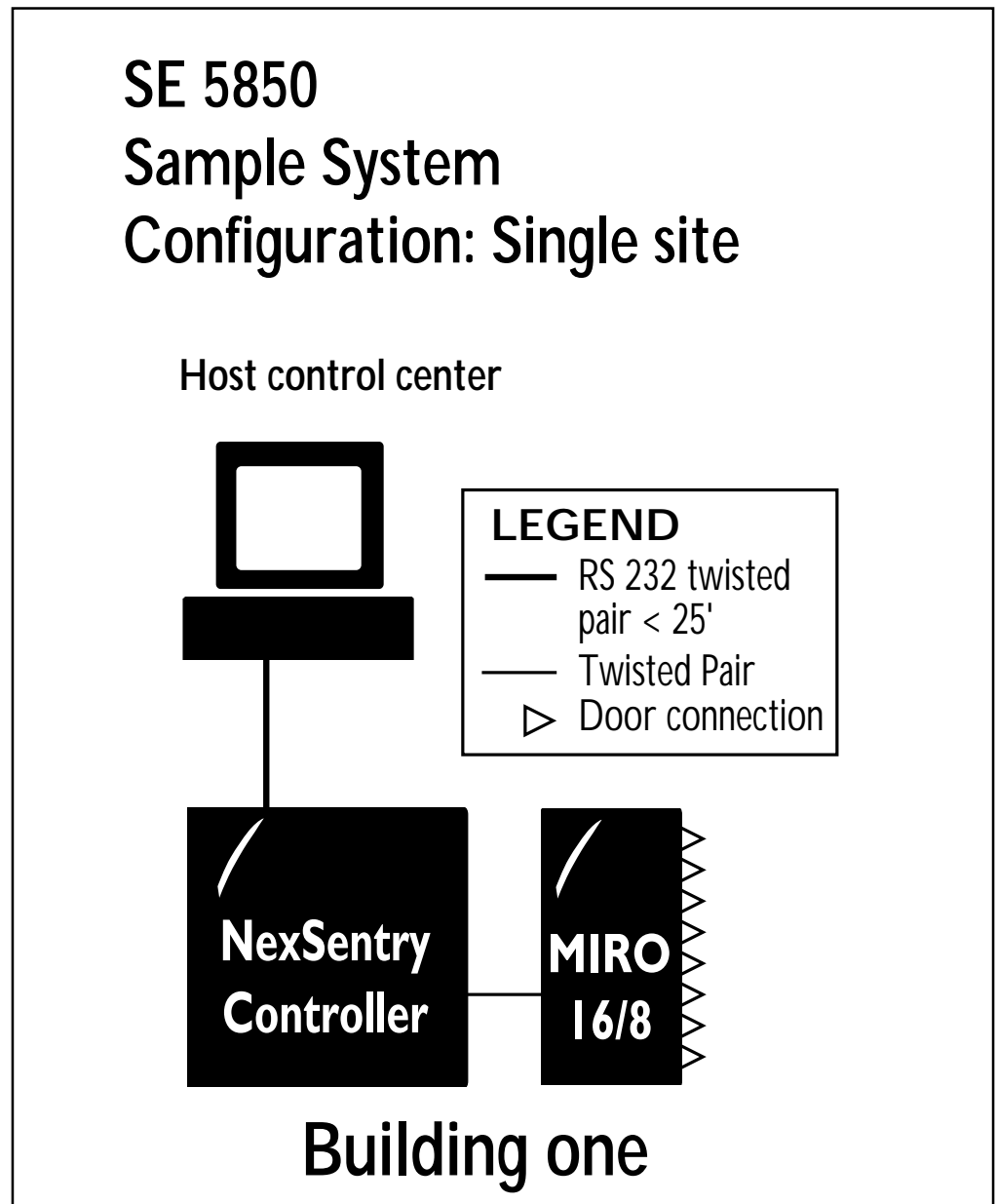
Low-cost digital proximity card with slot in vertical position for use as a badge. Also supports digital photo ID and bar code.

## QuadraKey multiple-technology card

ISO-compliant access credential that supports the following multiple technologies in a card that is the same size and thickness as a credit card: digital proximity, magnetic stripe, photo ID with color imaging on both sides of card, bar code, and smart card.

## 2Smart Key Contact smartcard plus proximity

Offers the convenience of low-frequency proximity and the flexibility of an embedded contact smartchip technology with a read range of up to 20" / 50.8 cm. Ideal for multiple applications that call for smartcard technology which include: logical access control, vending, restaurant, library, student card, biometrics and storage.



## KeyMate proximity key fob

Digital proximity access credential with the same award-winning design as WSE's DigiReader Series digital proximity reader, but that fits on a key chain.

## SE1000 Series analog proximity Command Key

Durable analog command keys for use with SE2800 series Proximity Card Reading Sensors.

# SE5850 SECURITY MANAGEMENT SYSTEM

---

---

## SE5850 System Features Summary

### ACCESS CONTROL

---

- Cardholders:<sup>1</sup> ..... 50,000
- Key groups: ..... 250
- Access codes:<sup>1</sup> ..... 250
- Time periods:<sup>2</sup> ..... 1,000
- Time groups: ..... 250
- Holidays: <sup>1</sup> ..... 50
- Controllers: ..... 2, 4, 8, 16 or 32
- Card readers: ..... 256 maximum
- Doors: ..... 256
- Door groups: ..... 50

### ALARM MONITORING

---

- Maximum monitor points: ..... 1,024
- Maximum monitor groups: ..... 100

### REPORTING AND OPERATING

---

- Operators/passwords: ..... 100
- Operator instructions: ..... 100
- Operator-defined color maps: ..... 100
- Map displays per alarm: ..... 3
- Reports:<sup>1</sup> ..... 100
- Cardholder data fields: ..... 14
- Operator-defined card holder data fields: ..... 10
- Alarm points flash on map when active
- Latched relay can be sequenced from terminal
- Special function keys
- Menu-driven operation
- Archive off-line storage of database and transactions while system is running
- Separate daily transaction log files

<sup>1</sup> May be limited by controller capacities

<sup>2</sup> 64 or 128 max. per controller

<sup>3</sup> Limited only by hard drive

### DATABASE MANAGEMENT

---

- On-line transaction storage:<sup>3</sup> ..... 1.5 million minimum
- Off-line transaction storage: ..... Unlimited
- Events/second recorded: up to 20 using two serial ports
- Search of events archived on floppy disk while system is operating
- Audit trail of data changes
- Automatic archive and delete of transaction logs in excess of operator specified limit
- Automatically checks and resets database changes at local controllers at selectable time
- Data maintenance

---

## ORDER INFORMATION

---

Model	Order #	Description
<b>Systems</b>		
92585090000	5850-2-SW:	5850 Software for 2 Controllers
92585091000	5850-4-SW:	5850 Software for 4 Controllers
92585092000	5850-8-SW:	5850 Software for 8 Controllers
92585093000	5850-16-SW:	5850 Software for 16 Controllers
<b>Printers</b>		
92571843000		Serial Printer, <b>120V</b>
92600650000		LaserJet Report Printer; (See WSE web site for current specifications)
<b>Communications</b>		
92200010000	CI-1,	RS232C to 20ma converter
92580020000	CI-8,	Data broadcast box
92585090000	Base WSE PC platform for SE5850	Includes: Keyboard, mouse, monitor; (see WSE web site for current specifications)

**North America Office**  
47102 Mission Falls Court  
Fremont, CA 94539  
510 360-7800  
510 360-7820 Fax  
<http://www.wse.com>

**European Office**  
Böblinger Straße 17  
D-71101 Schönaich  
Germany  
49-7031-637-782  
49-7031-637-769 Fax



**WSE**

*The future of access control*